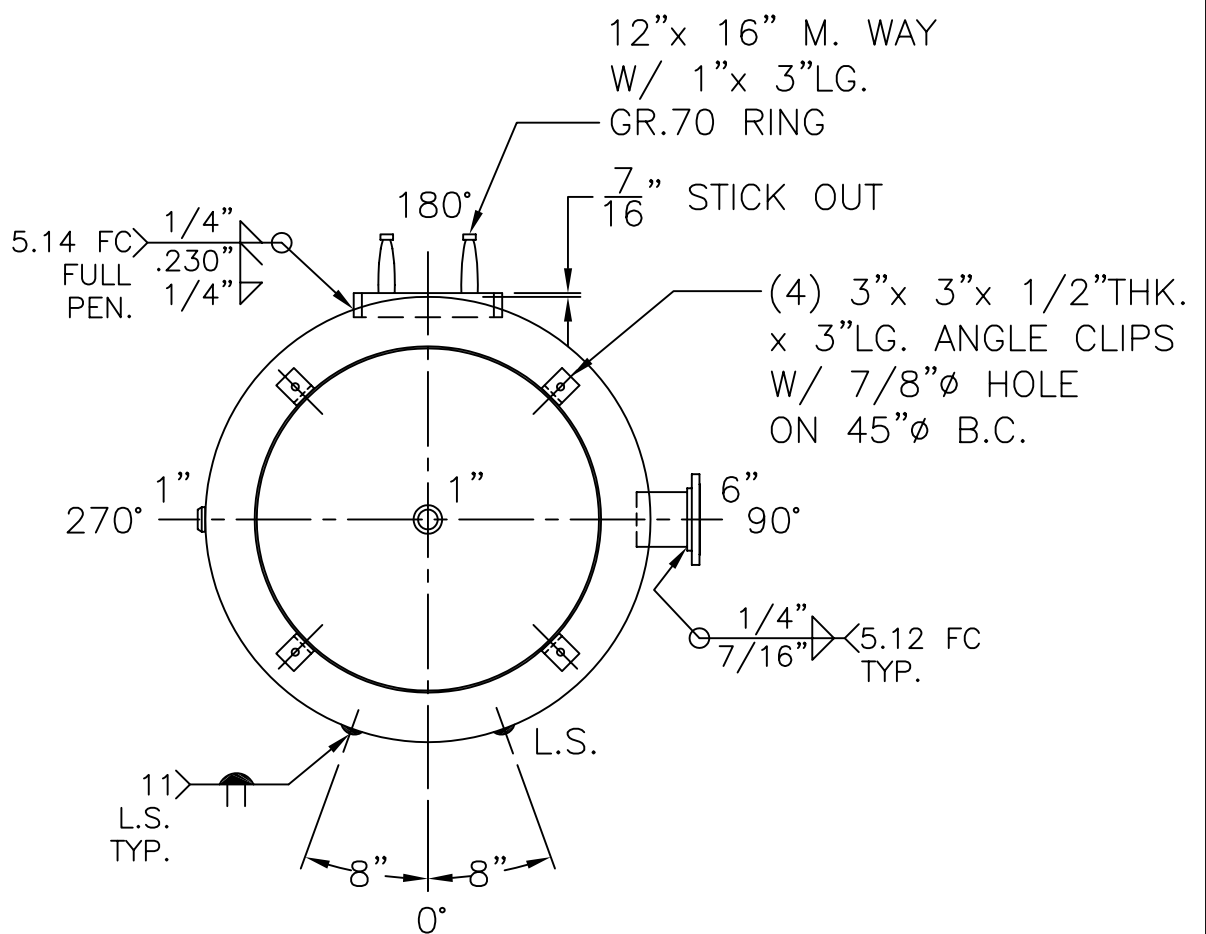
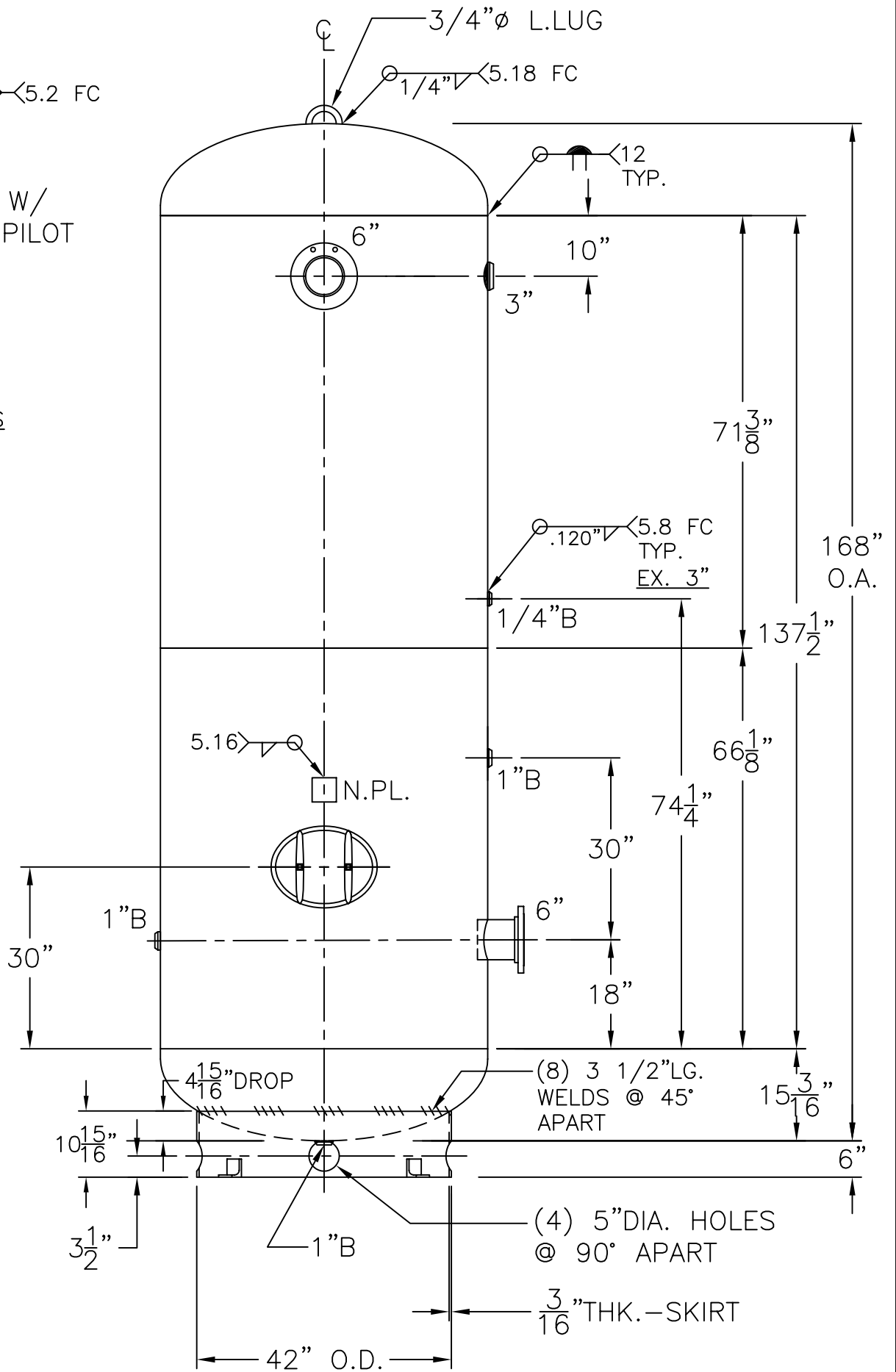


6"-150# R.F.S.O.
 FLG. W/ SCH. 80
 SA-106-B
 PIPE x 7 5/8"LG.
 (2) PLC'S.



NOTE: 1) 2) DRAIN FOR HORIZONTAL MOUNT ADDED AFTER SERIAL #423,136
 HYDRO @ 195 PSIG. MIN.

SHELL / HEADS		.250" SA-516-70 2:1 S.E.	
JOGGLE			
.230" SA-455			
M.A.W.P.	150 PSIG. @ 400 °F		
M.D.M.T.	-20 °F @ 150 PSIG.		
ASME. SECTION VIII DIV. 1, 2013			
X-RAY:	RT-4 SPOT L.S. ONLY		
GALLONS:	1550	WT.	2340 LBS.
SERIAL NO.			
N.B.			
54-VP-1550-R		REV.	12-26-13
FOR: HANSON STANDARD		DATE:	8-12-92
VERT. AIR TANK			
UW-21(b)			
INSIDE: UNPAINTED			
OUTSIDE: PRIME			
CAD "B" SIZE UNDER "STD"-SERIES			
BY: E.S.			
SCALE: 1/2"=12"			
ROY E. HANSON JR. MFG.			
1600 E. WASHINGTON BLVD.			
LOS ANGELES, CA 90021			