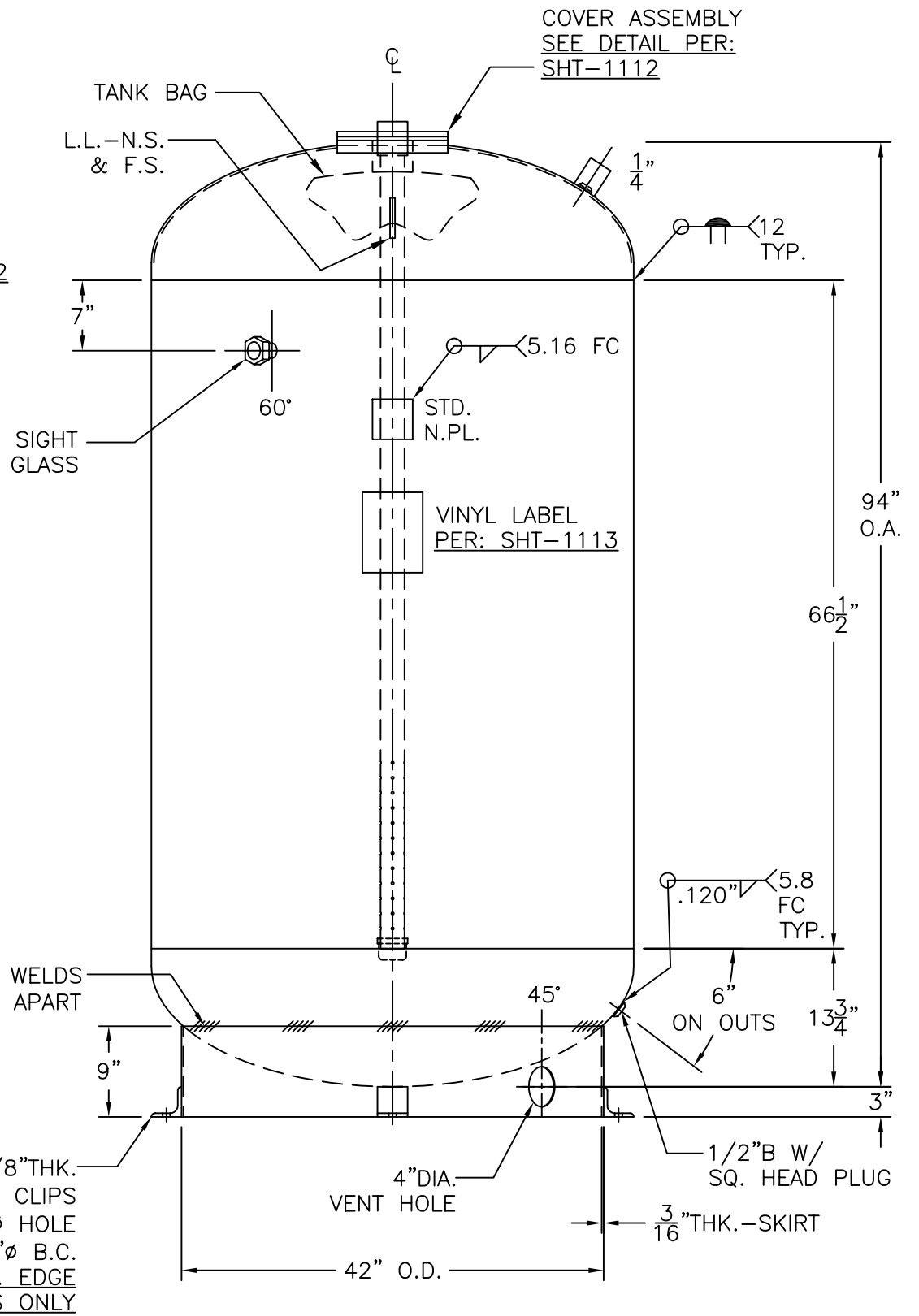
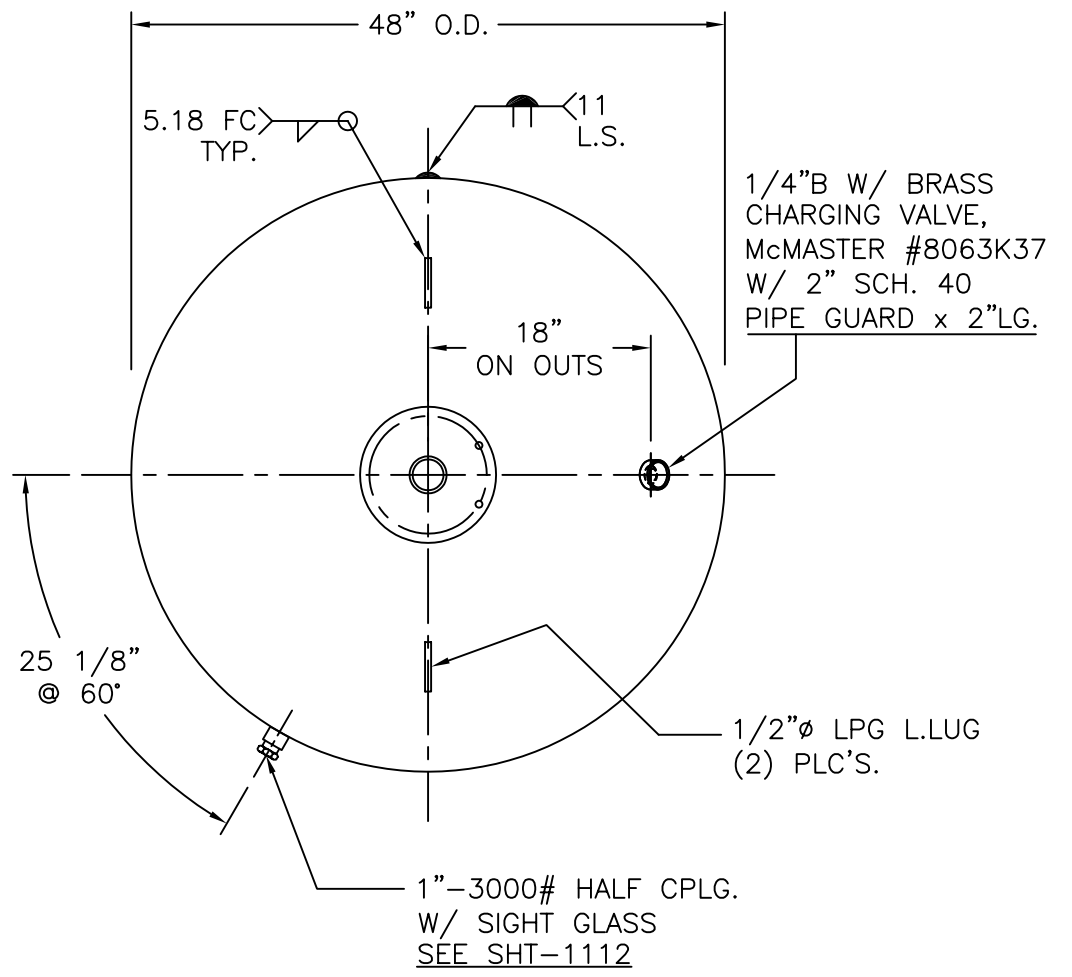


**COVER ASSEMBLY DTL.**



NOTE: 1) HYDRO @ 165 PSIG. MIN.  
2) FOR NON CORROSIVE SERVICE-BLADDER TANK.

SHELL / HEADS	
200" SA-455	2:1 S.E.
JOGGLE	
M.A.W.P. 125	PSIG. @ 240 °F
M.D.M.T. 32	*F @ 125 PSIG.
ASME SECTION VIII DIV. 1, 2007 ADD. 2007	
X-RAY: RT-4	SPOT L.S. ONLY
GALLONS: 660	WT. 1055 LBS.
SERIAL NO.	
N.B.	
<b>TB-660-R</b>	REV. 11-18-08
HANSON STANDARD	DATE: 4-1-05
VERT. BLADDER TANK	
INSIDE: UNPAINTED	
OUTSIDE: PRIMER	
BY: E.S.	SCALE: 3/4" = 12"
<b>ROY E. HANSON JR. MFG.</b>	
1600 E. WASHINGTON BLVD. LOS ANGELES, CA 90021	