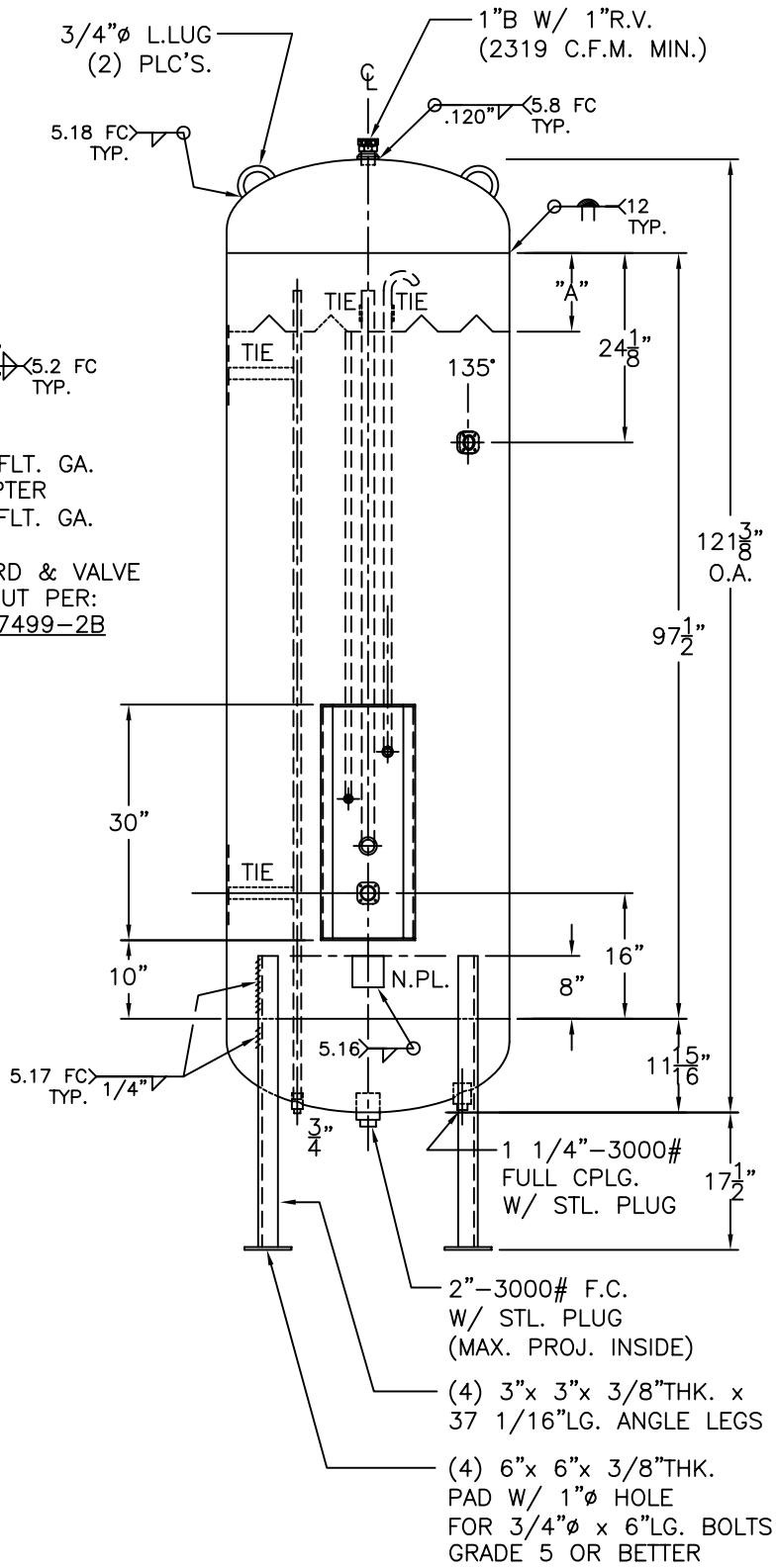


	OTHER	CALIF.
	LIQUID LEVEL	
	79.8%	86 1/2%
"A"	10"	2 1/8"
D.T.	21 1/4"	13 3/8"

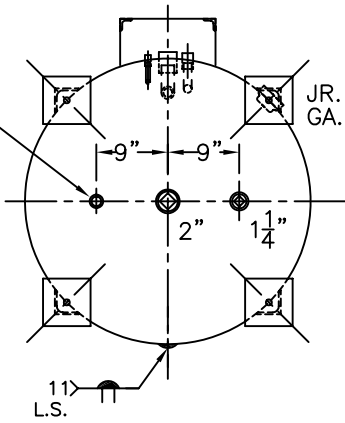
GUARD & VALVE LAYOUT PER: SK-7499-2B



SHELL / HEADS	.211" SA-455 2:1 S.E.	
	JOGGLE	
M.A.W.P.	250 PSIG. @ 200 °F	
M.D.M.T.	-20 °F @ 250 PSIG.	
ASME SECTION VIII	DIV. 1, 2004 ADD 2006	
X-RAY	RT-4 SPOT L.S. & HDS. G.S.	
GALLONS	499	WT. 1202 LBS.
SERIAL NO.	N.B.	

NOTE: 2) INTERNAL PIPES PER: PA-720-B
1) HYDRO @ 327 PSIG. MIN.

3/4"-3000# SERIES 650 SOCKET WELD W/ SCH. 40 PIPE INTO VAPOR SPACE W/ STL. PLUG



PA-414-B	REV. 12-27-06
FOR: HANSON STANDARD	DATE: 3-23-99
VERT. L.P.G. TANK	
SURFACE AREA = 100.1 SQ. FT.	
C.F.M. REQ'D = 2344	
INSIDE: UNPAINTED & DEHYDRATE	
OUTSIDE: PRIME	
LEG ZONE: 4-15 KM.	
BY: E.S.	SCALE: 3/4" = 12"
ROY E. HANSON JR. MFG.	
1600 E. WASHINGTON BLVD.	
LOS ANGELES, CA 90021	