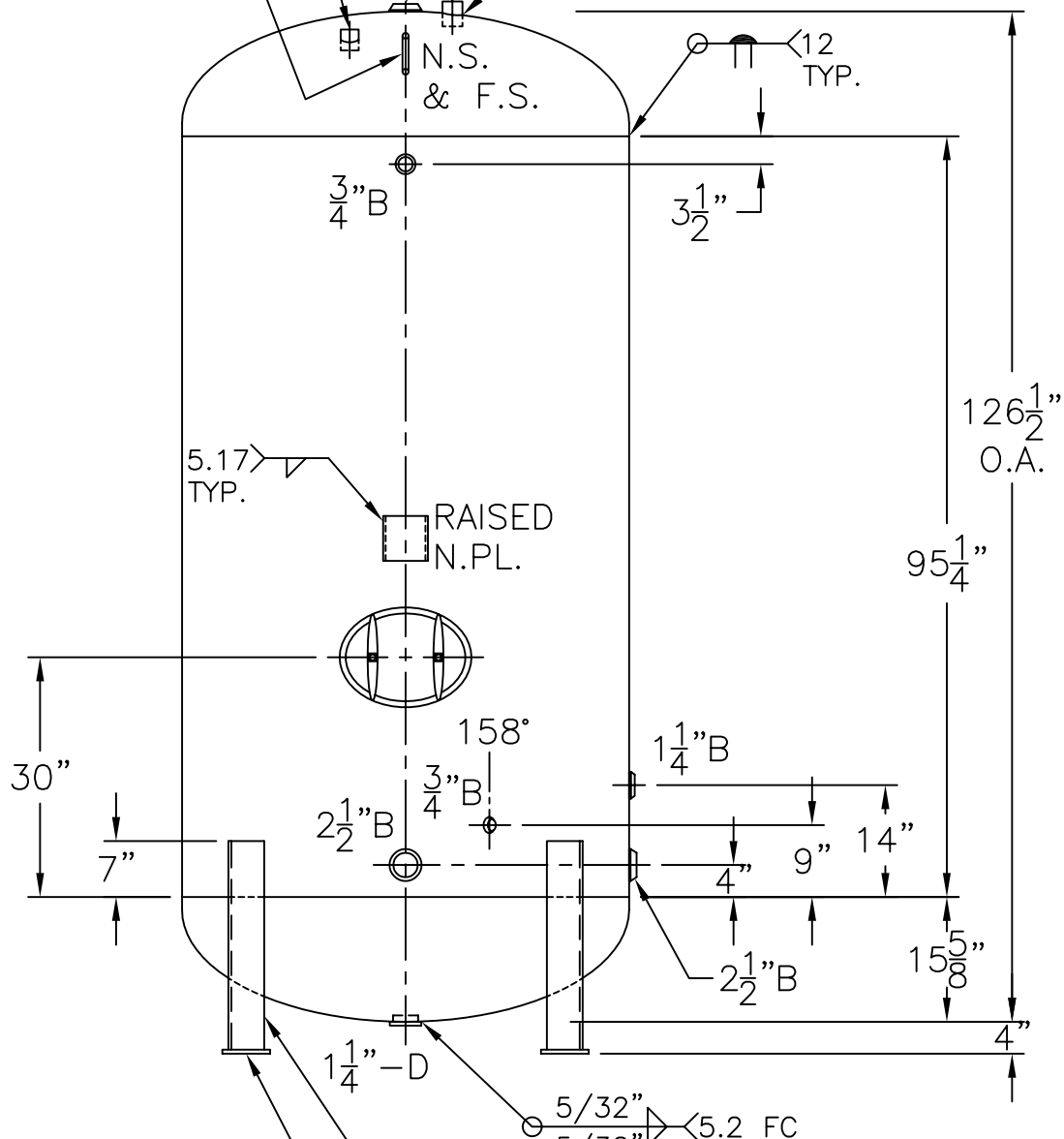
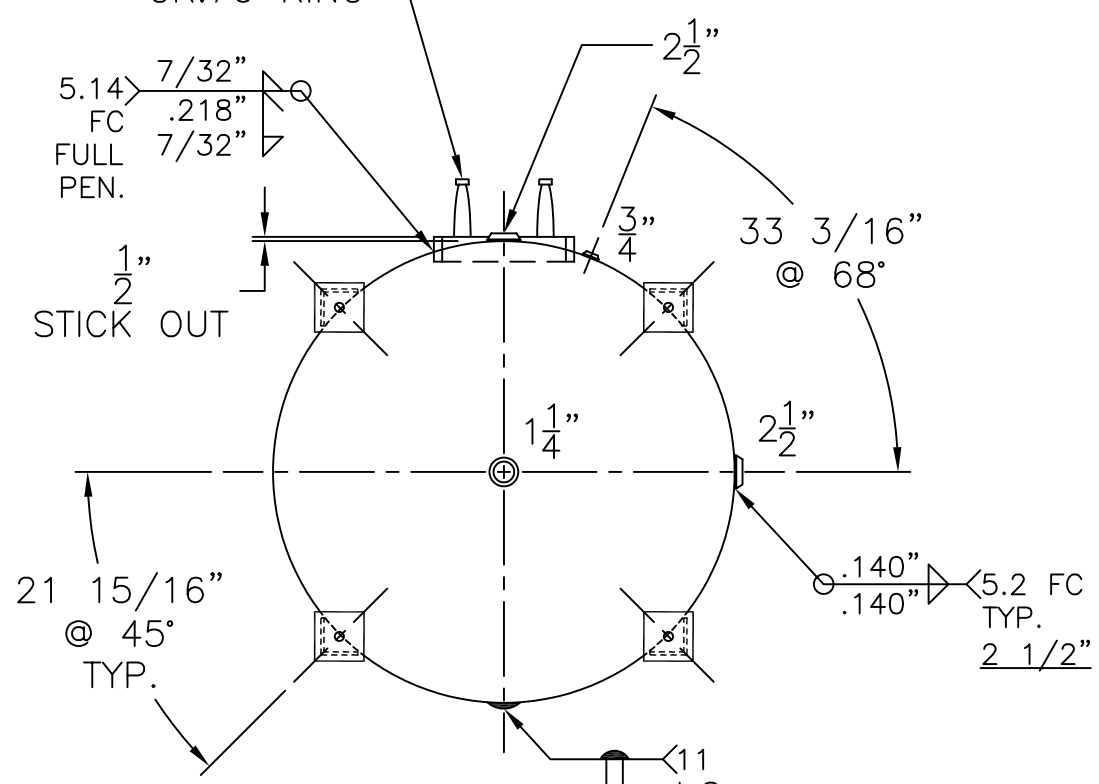


- 1 1/4"-3000# FULL CPLG. (2) PLC'S. FOR ANODES
- 3/4"φ SOLAR L. LUG (2) PLC'S.
- 2 1/2" B W/LONG PILOT (3) PLC'S.
- 1 1/2"-3000# FULL CPLG.
- 1/4" 1/4" 5.2 FC TYP. CPLGS.



- (4) 4"x 4"x 3/8" THK. x 26 1/8" LG. ANGLE LEGS
- (4) 6"x 6"x 1/2" THK. PAD W/ 7/8"φ HOLE FOR 5/8"φ x 8" LG. BOLTS GRADE 5 OR BETTER 6" EMBEDMENT
- 11"x 15" H. HOLE W/ 1"x 3" LG. GR.70 RING



NOTE: 1) SHIP LOOSE W/ (2) 1 5/16" x 72" LG. FLEX. MAG. ANODES.
 2) HYDRO @ 188 PSIG. MIN. TO 197 PSIG. MAX.

SHELL / HEADS		M.A.W.P. 125 PSIG. @ 210 °F	
.248" SA-455 2:1 S.E. (.186" MIN.)		ASME SECTION IV 2007 ADD 2008	
.218" SA-455		X-RAY: RT-NO / H.L.W.	
M.A.W.P. 125 PSIG. @ 210 °F		GALLONS: 1225 WT. 1806 LBS.	
SERIAL NO.		N.B.	
GS-56-1225-V		REV. 1-7-09	
FOR: HANSON STANDARD		DATE: 6-14-90	
VERT. WATER TANK		SURFACE AREA = 165.7 SQ. FT.	
INSIDE: GLASS LINED		OUTSIDE: PRIME	
LEG-ZONE 4-15 KM.		BY: J.G.	
CAD-"B" UNDER "STD"-SERIES		SCALE: 1/2" = 12"	
ROY E. HANSON JR. MFG.		1600 E. WASHINGTON BLVD.	
		LOS ANGELES, CA 90021	