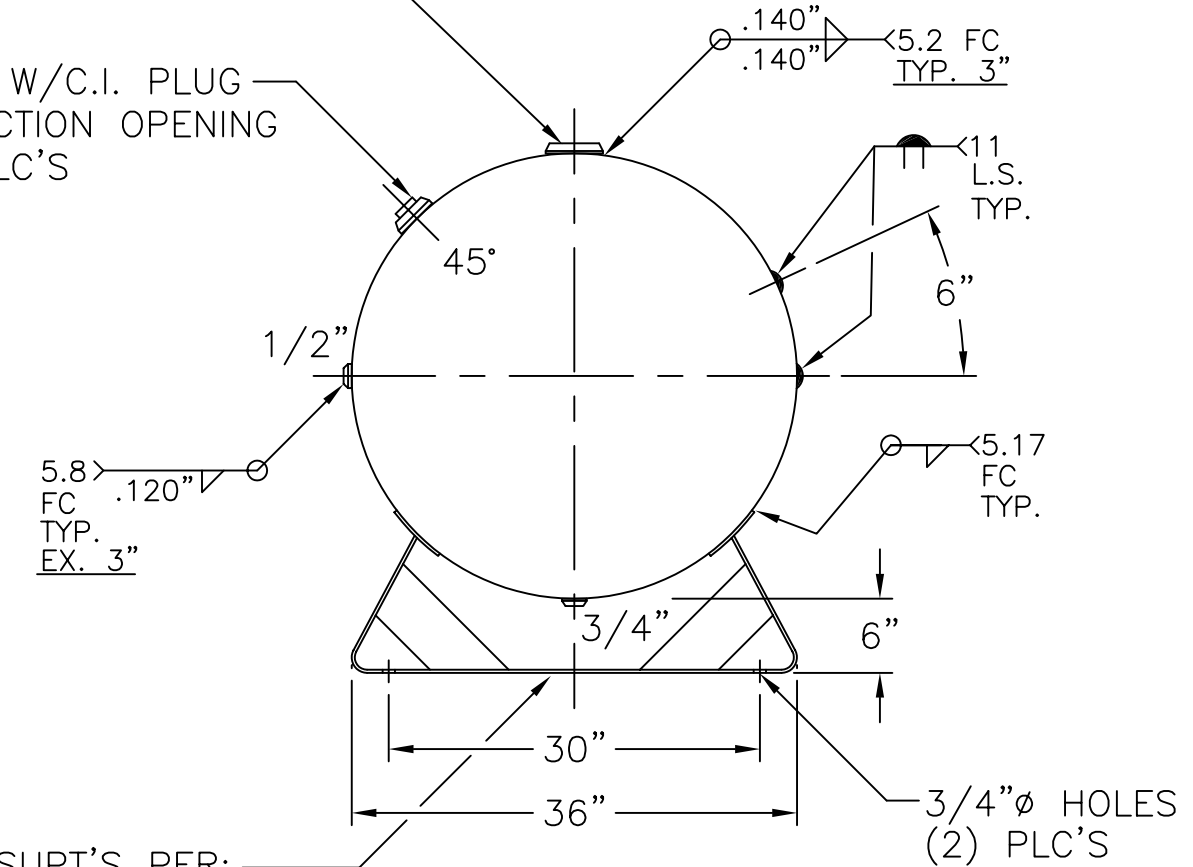
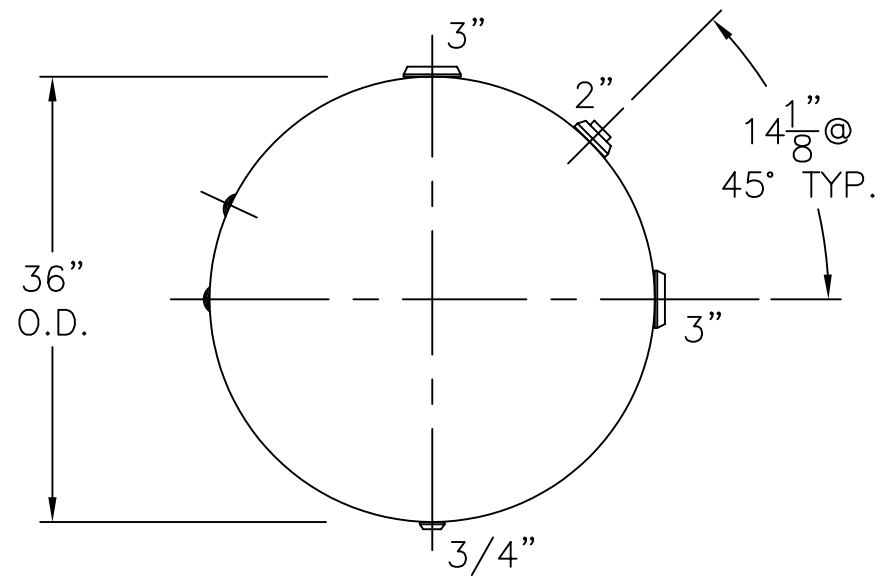


3"R W/LG. PILOT
(3) PLC'S

2" B. W/C.I. PLUG
INSPECTION OPENING
(2) PLC'S



SUPT'S PER:
MA-102-4-C



VIEW W/OUT TOP SUPT'S

3) CRN - ALBERTA #T5898.2
2) IMPACT TESTED? NO UG-20 (f)
NOTE: 1) HYDRO @ 260 PSIG. MIN.

HEADS	.211" SA-455 2:1 S.E.	36-HA-500-W	REV. 12-23-08
	JOGGLE - .209 OFFSET		DATE: 4-23-99
SHELL	.199" SA-455	FOR: HANSON STANDARD	
		HORIZ. AIR TANK	
		SURFACE AREA = 98.8 SQ. FT.	
		INSIDE: UNPAINTED	
M.A.W.P. 200 PSIG. @ 400 °F		OUTSIDE: PRIME	
M.D.M.T. -20 °F @ 200 PSIG.		CAD-"B" SIZE UNDER "STD"-SERIES	
ASME SECTION VIII DIV. 1, 2007 ADD 2008		BY: J.G. SCALE: 3/4"=12"	
X-RAY: RT-4 SPOT L.S. ONLY		ROY E. HANSON JR. MFG.	
GALLONS: 500 WT. 936 LBS.			
SERIAL NO.		1600 E. WASHINGTON BLVD. LOS ANGELES, CA 90021	