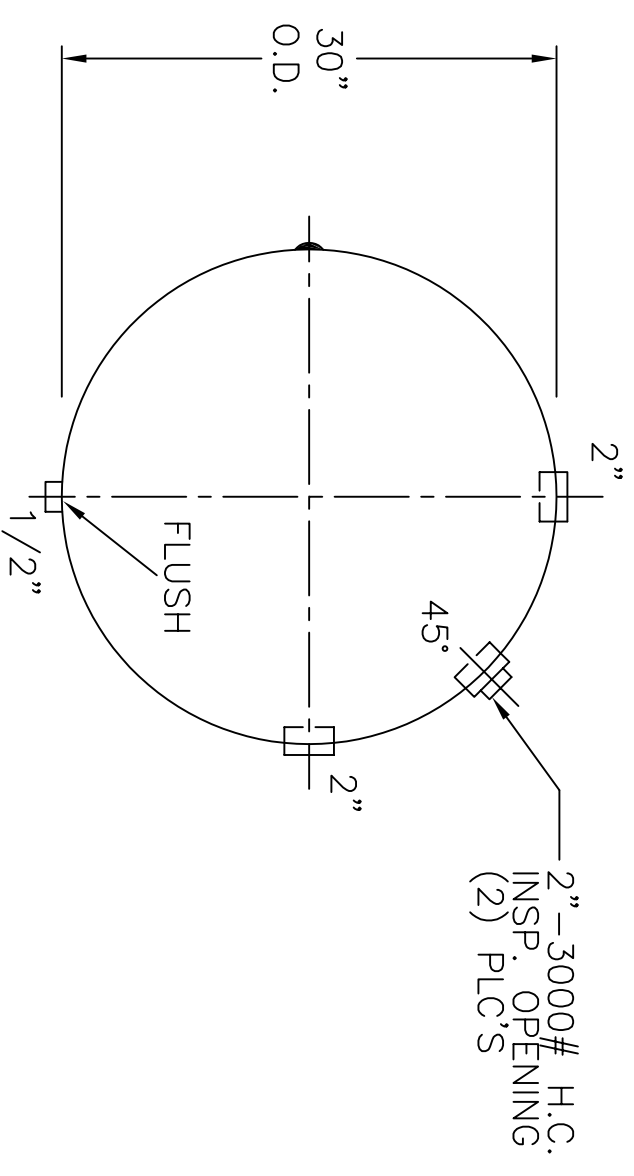


SUPPORTS PER:  
MA-102-3-C  
NO PADS

(2) 5/8" Ø HOLE

NOTE: 1) HYDRO @ 520 PSIG. MIN.  
2) ALL CPLG'S ARE 3000# HALF, EXCEPT 1/4"-3000# FULL CPLG.



VIEW W/OUT SUPT'S

SHELL / HEADS		.338" SA-455 2:1 S.E.	
TRIM (.324" MIN.)			
M.A.W.P. 400 PSIG. @ 400 °F		30-HJ-200-W	
M.D.M.T. -20 °F @ 400 PSIG.		REV. 9-8-11	
ASME SECTION VIII DIV. 1, 2010 ADD 2010		DATE: 8-9-94	
X-RAY: RT-4 SPOT L.S. ONLY		FOR: HANSON STANDARD	
GALLONS: 200 WT. 792 LBS.		HORIZ. AIR TANK	
SERIAL NO.		INSIDE: UNPAINTED	
		OUTSIDE: PRIME	
		CAD-"B" SIZE UNDER "STD"-SERIES	
		BY: J.G. SCALE: 1"=12"	
		<b>ROY E. HANSON JR. MFG.</b>	
		1600 E. WASHINGTON BLVD.	
		LOS ANGELES, CA 90021	