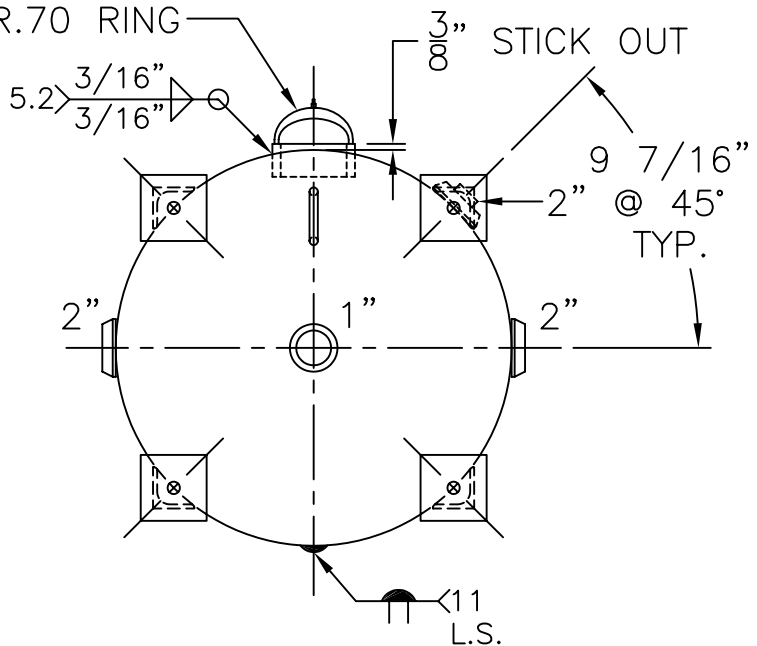


(4) 2 1/2" x 2 1/2" x 3/16" THK.
x 19 1/16" LG. ANGLE LEGS

(4) 4" x 4" x 1/4" THK.
PAD W/ 3/4" Ø HOLE
FOR 1/2" Ø x 8" LG. BOLTS
GRADE 5 OR BETTER
6" EMBEDMENT

4" x 6" H. HOLE
W/ 1/2" x 2" LG.
GR.70 RING



NOTE: 1) HYDRO @ 163 PSIG. MIN.

SHELL / HEADS	.164" SA-414-G 2:1 S.E.
JOGGLE	
	.135" SA-414-G
M.A.W.P.	125 PSIG. @ 200 °F
M.D.M.T.	-20 °F @ 125 PSIG.
ASME SECTION VIII	DIV. 1, 2007 ADD 2008
X-RAY:	RT-NO
GALLONS:	120 WT. 300 LBS.
SERIAL NO.	
N.B.	

WM-657-B	REV.
FOR: -	DATE: 4-7-09
VERT. HOT WATER (BUFFER) TANK	
SURFACE AREA = 36.0 SQ. FT.	
INSIDE: UNPAINTED	
OUTSIDE: S. BLAST, INORGANIC	
ZINC PRIME	
LEG-ZONE 4-15 KM.	
BY: E.S. / C.J.	SCALE: 1"=12"
ROY E. HANSON JR. MFG.	
1600 E. WASHINGTON BLVD.	
LOS ANGELES, CA 90021	