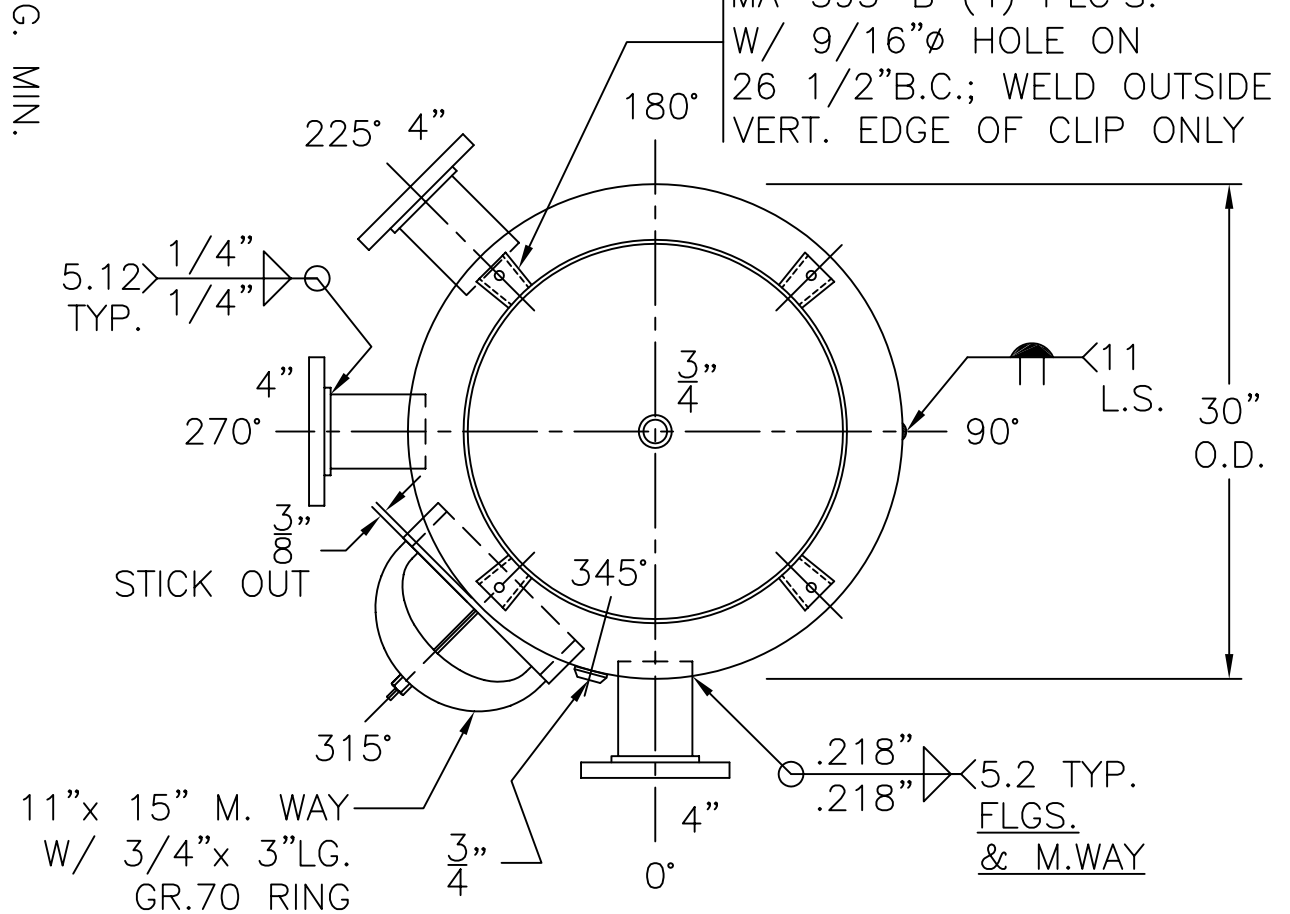


4"-150# R.F.S.O.
 FLG. W/ SCH. 40
 PIPE x 7 1/16" LG.
 (4) PLC'S.

3/16" THK. CLIPS PER
 MA-395-B (4) PLC'S.
 W/ 9/16" Ø HOLE ON
 26 1/2" B.C.; WELD OUTSIDE
 VERT. EDGE OF CLIP ONLY



NOTE: 1) HYDRO @ 164 PSIG. MIN.

SHELL / HEADS	
.166" SA-414-G	2:1 S.E.
JOGGLE	
.200" SA-455	
M.A.W.P. 125 PSIG. @ 180 °F	
M.D.M.T. 0 °F @ 125 PSIG.	
ASME SECTION VIII DIV. 1, 2004 ADD. 2004	
X-RAY: RT-NO	
GALLONS: 200	WT. 585 LBS.
SERIAL NO.	
N.B.	
WL-273-B	
FOR: -	REV. DATE: 10-6-05
VERT. WATER (BUFFER) TANK	
INSIDE: UNPAINTED	
OUTSIDE: PRIME	
BY: E.S. / H.D.	SCALE: 1"=12"
ROY E. HANSON JR. MFG.	
1924 COMPTON AVE. LOS ANGELES, CA 90011	