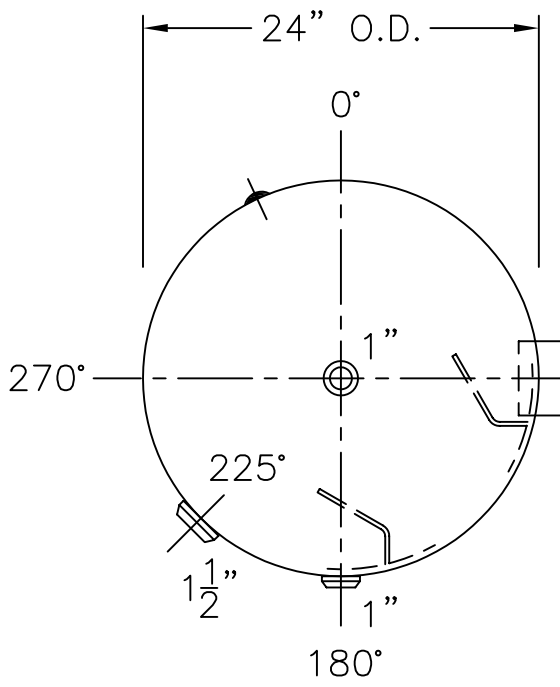
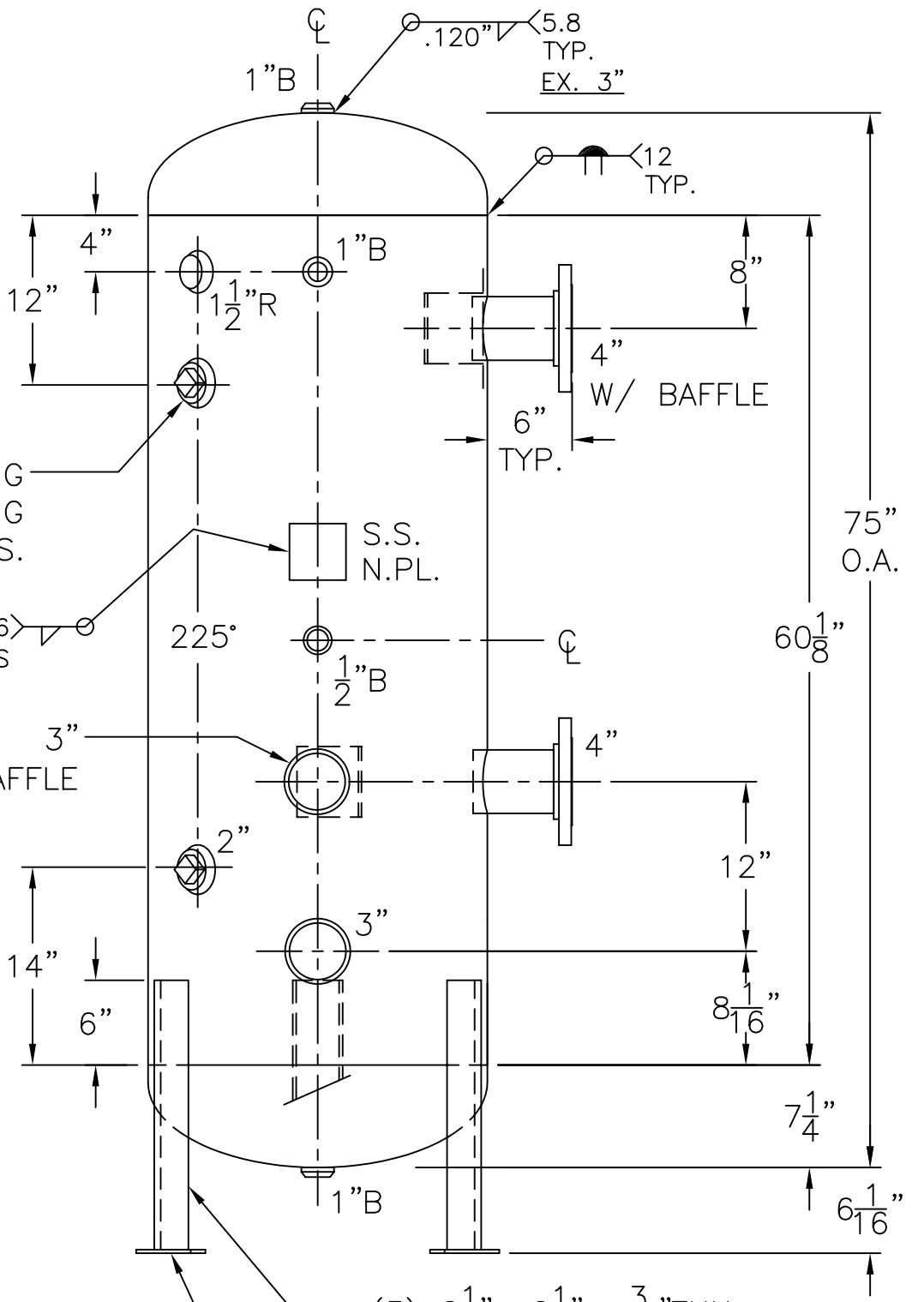


DATE	BY
4-3-13	REH
2-5-14	REH

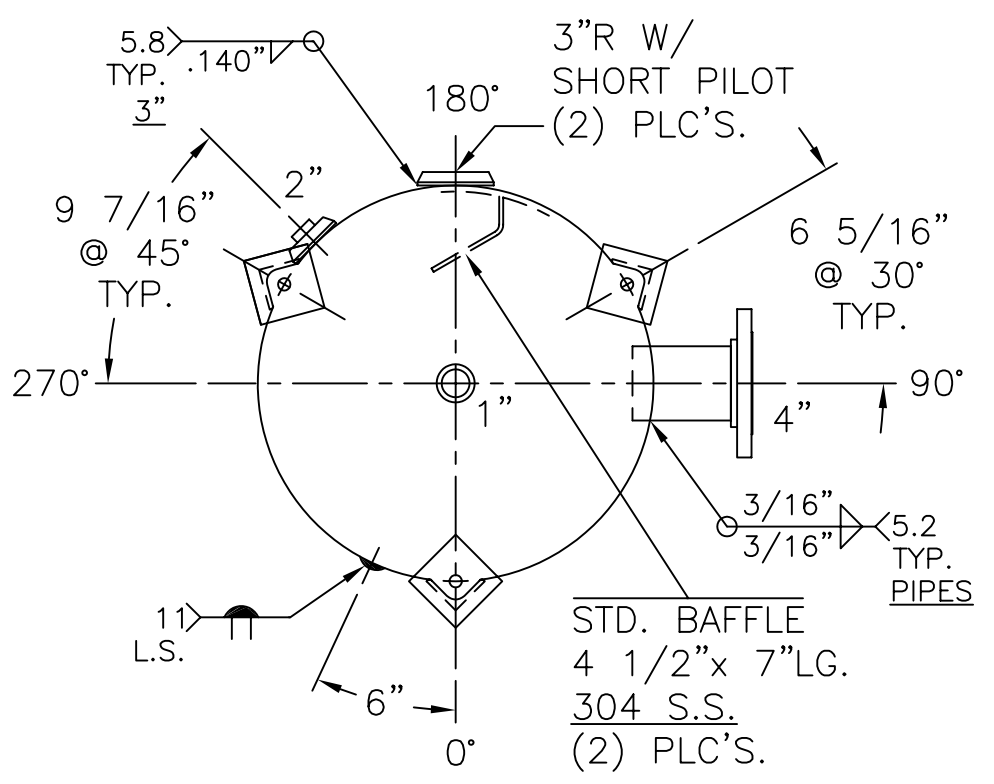


4"-150# R.F.S.O.  
 FLG. W/ SCH. 40  
 SA-106-B  
 PIPE x 7 1/16" LG.  
 (2) PLC'S.

2"R W/ C.I. PLUG  
 INSP. OPENING  
 (2) PLC'S.



(3) 2 1/2" x 2 1/2" x 3/16" THK.  
 x 19 1/16" LG. ANGLE LEGS  
 (3) 4" x 4" x 1/4" THK.  
 PAD W/ 3/4" Ø HOLE



STD. BAFFLE  
 4 1/2" x 7" LG.  
 304 S.S.  
 (2) PLC'S.

NOTE: 1) 2) 3"R W/ SHORT PILOT - MACHINE TO 4 5/16" O.D.  
 1) HYDRO @ 195 PSIG. MIN.

SHELL / HEADS	.164" SA-414-G 2:1 S.E.
JOGGLE -	.159 OFFSET
M.A.W.P.	150 PSIG. @ 200 °F
M.D.M.T.	0 °F @ 150 PSIG.
ASME SECTION VIII	DIV. 1, 2013
X-RAY:	RT-NO
GALLONS:	139 WT. 355 LBS.
SERIAL NO.	
N.B.	

FOR:	VERT. WATER TANK
SURFACE AREA	= 41.8 SQ. FT.
INSIDE:	UNPAINTED
OUTSIDE:	PRIME
LEG-ZONE	4-15 KM.
BY:	E.S. / R.V. SCALE: 1"=12"
<b>ROY E. HANSON JR. MFG.</b>	1600 E. WASHINGTON BLVD. LOS ANGELES, CA 90021
<b>WJ-824-B</b>	REV. 2-5-14
	DATE: 9-13-02